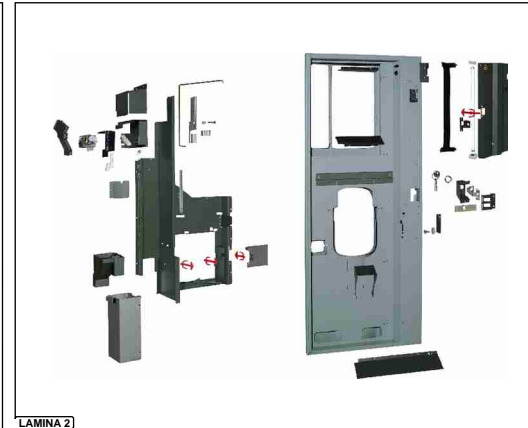


# CITY

ME MI



LAMINA 1



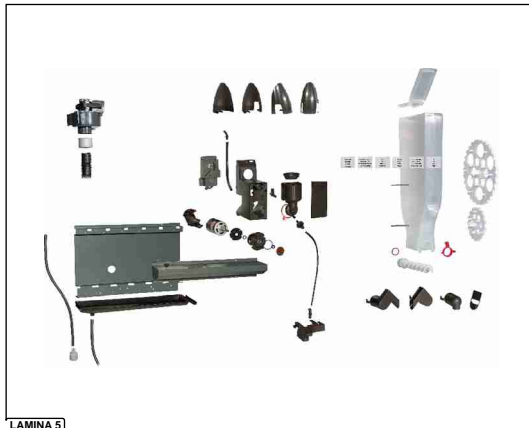
LAMINA 2



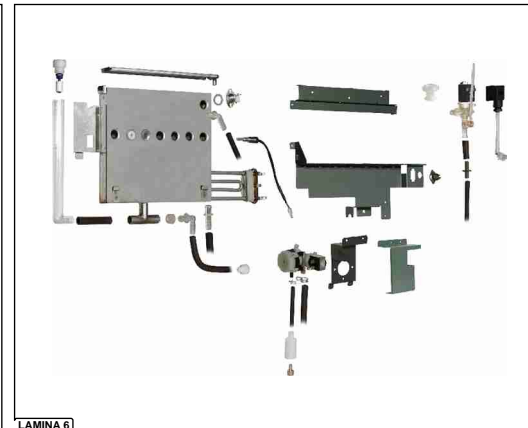
LAMINA 3



LAMINA 4



LAMINA 5



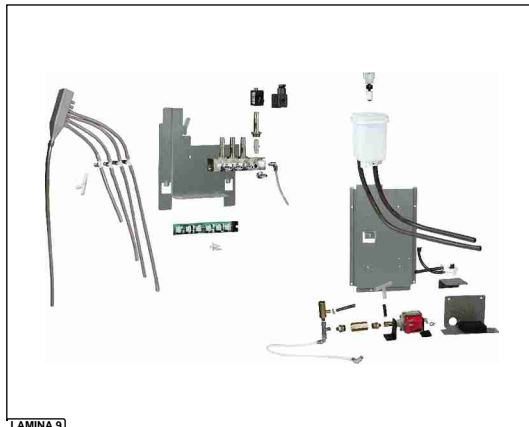
LAMINA 6



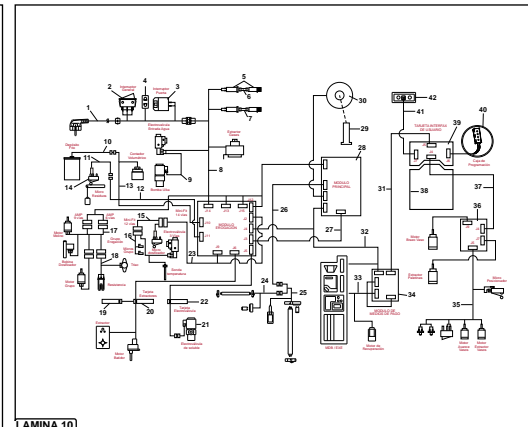
LAMINA 7



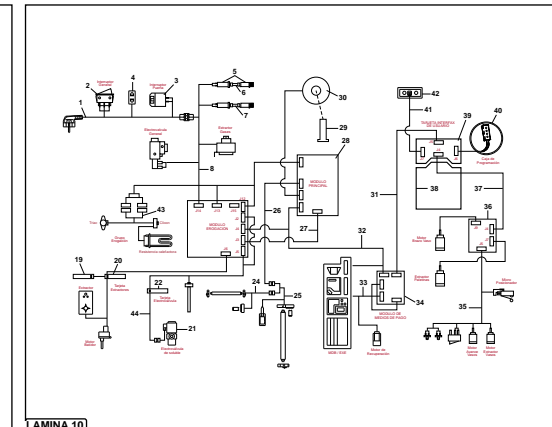
LAMINA 8



LAMINA 9



LAMINA 10



LAMINA 10

